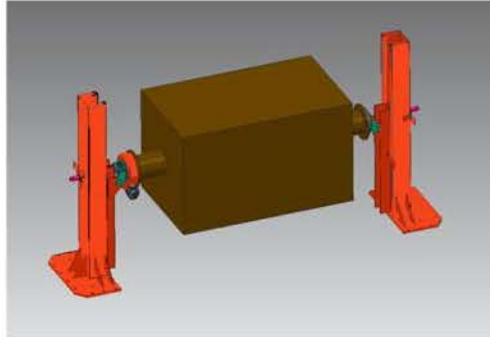


FOR IMMEDIATE RELEASE

ALM Positioners' New Short Stroke Positioner

June, 2017 - Rock Island, Illinois

Based on feedback from their customers, **ALM Positioners** has designed a Lower Capacity Short Stroke Positioner for smaller weldments and assemblies. Created for customers who don't require positioning capacities higher than 4,000 pounds, this unit makes it possible to transition from manual welding to automation providing more cost efficiency, better ergonomics and increased safety.



Click on image to access a High Resolution image suitable for printing.

The Short Stroke Low Capacity Positioner is hydraulically driven and electronically equalized with a power rotator. Utilizing **ALM's** standard elevating headstock/tailstock units, the Short stroke features 24" vertical lift, solenoid controlled safety pawls, 2 HP hydraulic units for each column, 9" powered rotator, pendant control, and provides up to 40% improvement in cost efficiency.

ALM Positioners eliminate the need for straps, chains and slings and allows the operator to raise and position weldments or assemblies to a convenient height and working position. **ALM Positioners** can be custom designed to meet your specific requirements and provide improved weld quality; simplified tool access; consistent repeatable assembly procedures; higher productivity and reduced consumables; proper ergonomics with reduced operator fatigue and injury risk; and higher throughput and profits.

ALM Positioners is a manufacturer of unique headstock/tailstock positioner lifts. Manufactured in Rock Island, Illinois, in a state of the art manufacturing facility, **ALM's** unique positioner designs have proven to be a more cost effective equipment investment that improves safety for welder and operator and improved weld quality while boosting production throughput as much as 35%. Typically 85% of the cost to weld is in labor and overhead, only 15% of the cost to weld is in the consumables. Increasing manufacturing and assembly efficiency will result in a significant **COST SAVINGS**.

For more information contact:

Kevin Toft
ALM Positioners
8080 Centennial Expressway
Rock Island, IL 61201
309-787-6200
sales@almmh.com
www.almmh.com